

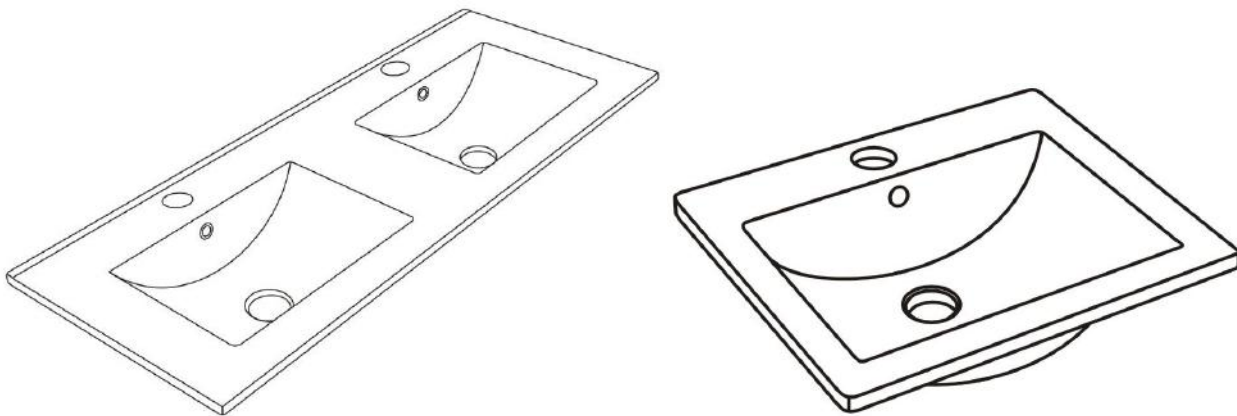
USER MANUAL



Thank you for choosing Better Bathrooms.
Please read this manual before installing your product
and keep for future reference.

better 
bathrooms

Vanity Basin



Please note: Image is for illustrative purposes only and may differ slightly to the actual product

- **Single-person assembly**
- **Tools required**
- **We always recommend using professional tradespeople to install your product**

V3_12.10.21

Congratulations on your purchase

And welcome to our growing gang of savvy shoppers

We're on a mission to bring you extraordinary bathroom products, for less. From modern to traditional style ceramics, plus the gorgeous fixtures, fittings and furniture to match. So, you can fall in love with your space every single day.

As one of the UK's largest independent bathroom stores, we've received countless awards; including the National Business Awards UK, the Digital Entrepreneur Awards and being placed on The Sunday Times Fast Track 100.

We hope your new product goes above and beyond your expectations. However, should any problems occur, please:

- log in to your account and contact our customer services team via your self-serve portal – betterbathrooms.com/CustomerAccount/Login
- contact us via betterbathrooms.com/content/contact-us

Important information

- Please read these instructions thoroughly and retain for future reference
- Always check for pipes and cables before drilling

Contents

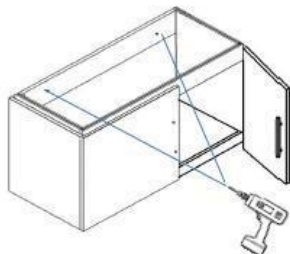
- Basin x 1

Tools required

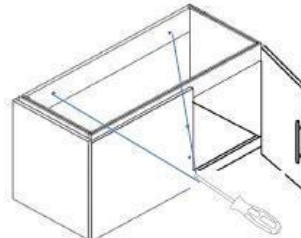
Silicone, Drill ,Spanner

Installation

1
Check the wall for pipes and wires before drilling, drill through the back plinth into the wall in the desired location, ensuring the unit is level

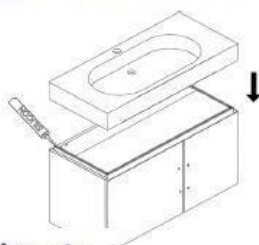


2
Secure the unit to the wall using a suitable wall fixing for your wall type (fixings not supplied with unit) ie plug and screw for solid walls

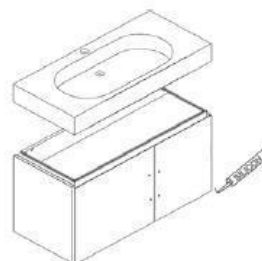


On receipt of the product check for damage prior to commencement of any installation.
Damage notified after or during installation will be deemed as installation damage

3
Apply a bead of silicone between the basin and the unit
Place the basin/top onto the unit, again ensuring all parts are level
Also apply silicone at any join between the basin and walls



4
It is recommended to silicone around the base of the unit, to prevent water from passing between the unit and the floor



buyitdirect >

Leave all silicone to dry for at least 24 hours before use

Maintenance

The basin and any chrome components should be cleaned using a soft damp cloth, no abrasive cleaning agents or materials should be used, as this can affect the surface finish.

Use of any abrasives can invalidate your guarantee.

Cleaning

To maintain the surface finish of your product, wipe clean after every use, using a clean damp cloth, a mild detergent mixture can be used. Do not use abrasive cleaning agents or materials which can strip and scratch the surface; the use of these agents or materials can invalidate your guarantee.

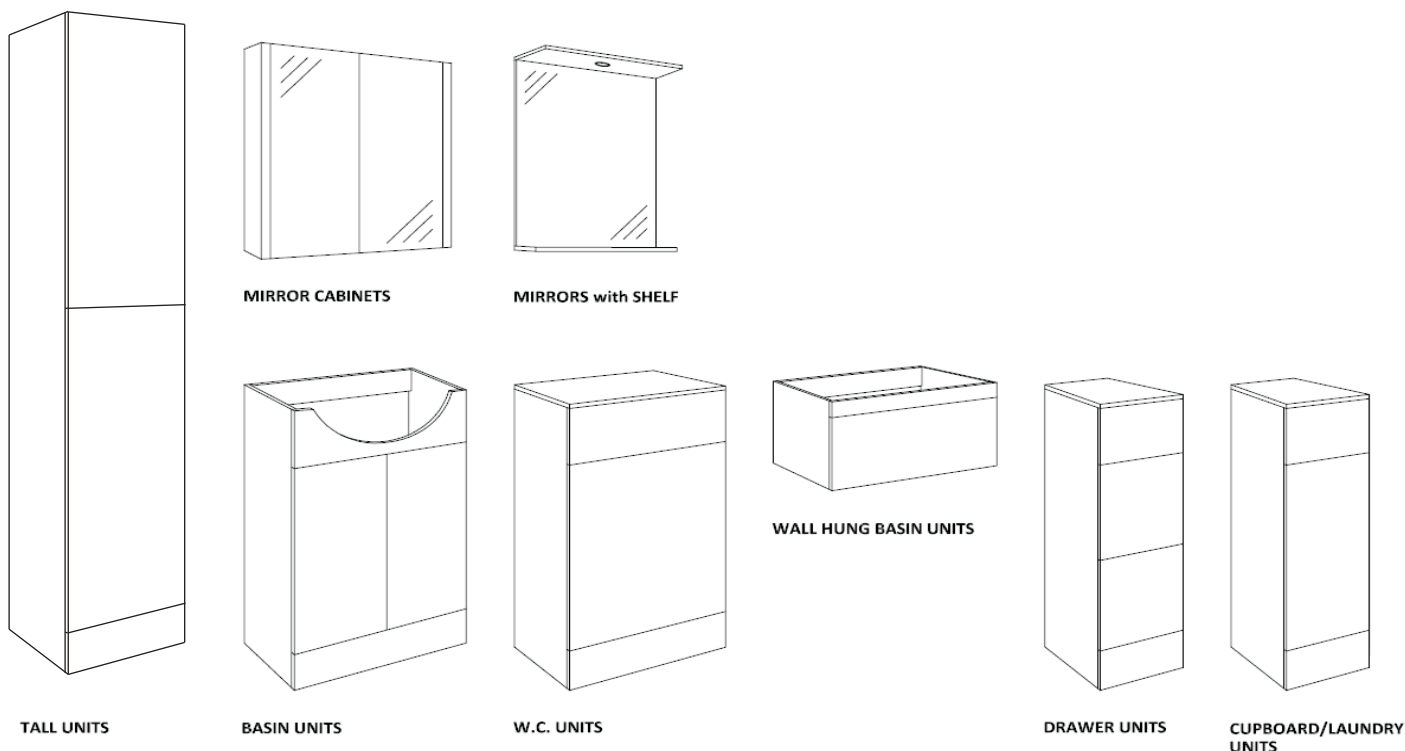
For more information

- visit betterbathrooms.com
- email customerservices@buyitdirect.co.uk
- call 0330 390 3062
- write to Trident Business Park, Neptune Way, Huddersfield, HD2 1UA

**better
bathrooms**

Part of the BuyItDirect Group

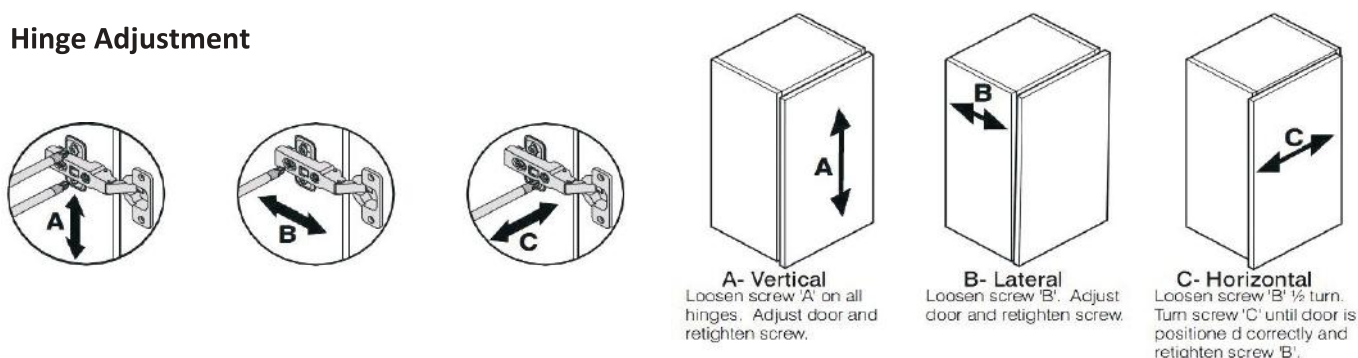
BATHROOM FURNITURE FITTING GUIDE



Please spend 5 minutes reading this section before commencing with the installation of your new furniture.

1. Should any of your items have a defect, please do NOT install as returns will not be accepted once fitted.
2. We advise that you use a qualified person to install your units, as any issues relating to poor fitting will not be accepted by the supplier.
3. You have purchased a handmade and in some cases hand painted product. Therefore, you may see some slight imperfections which the supplier may deem as acceptable.
4. This product is water resistant but NOT waterproof. On no account should any spillages or splashes, even water, be allowed to lie on any surface. All spillages and splashes should be wiped dry, failure to do so may shorten the life expectancy of the product and invalidate any guarantees.
5. Please avoid direct sunlight as this will cause the painted surfaces to discolour.
6. Due to motion in transit, the cabinet doors and drawers may need to be adjusted after installation.
7. Floor Standing units must be fitted back to the wall through the backrail using suitable fixings. (not supplied)
8. Basin units should be fitted as above. The basin should also be secured where applicable using Fischer bolts through the fixing points under the basin. (not supplied) Note that not all basins have this facility.
9. Wall Hung units must be secured back to the wall using the wall hanging brackets or suitable wall fixings when not supplied. Additional support is recommended using 'L' brackets. (not supplied)
10. The hinge on the Laundry Basket can be adjusted by slackening the screw on the side of the sliding bar.
11. When fixing to a stud or panelled wall, appropriate frame work should be installed to support the basins and units.
12. Where units or worktops have to be cut-out for services, all raw edges MUST be sealed against water ingress.

Hinge Adjustment

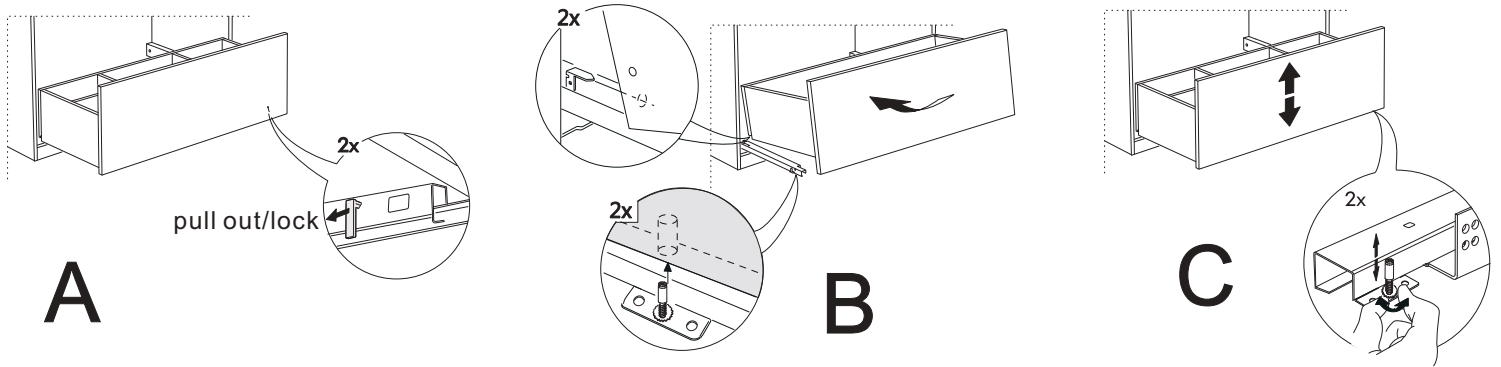


Drawers Remove/Install

To Remove the Drawer: Follow step 'A' and remove the fastener then follow step 'B'.

To Install the Drawer: Follow step 'B' and then follow step 'A' to lock the fastener.

Drawer position: If drawer position needs altering follow step 'C' to adjust the screw.



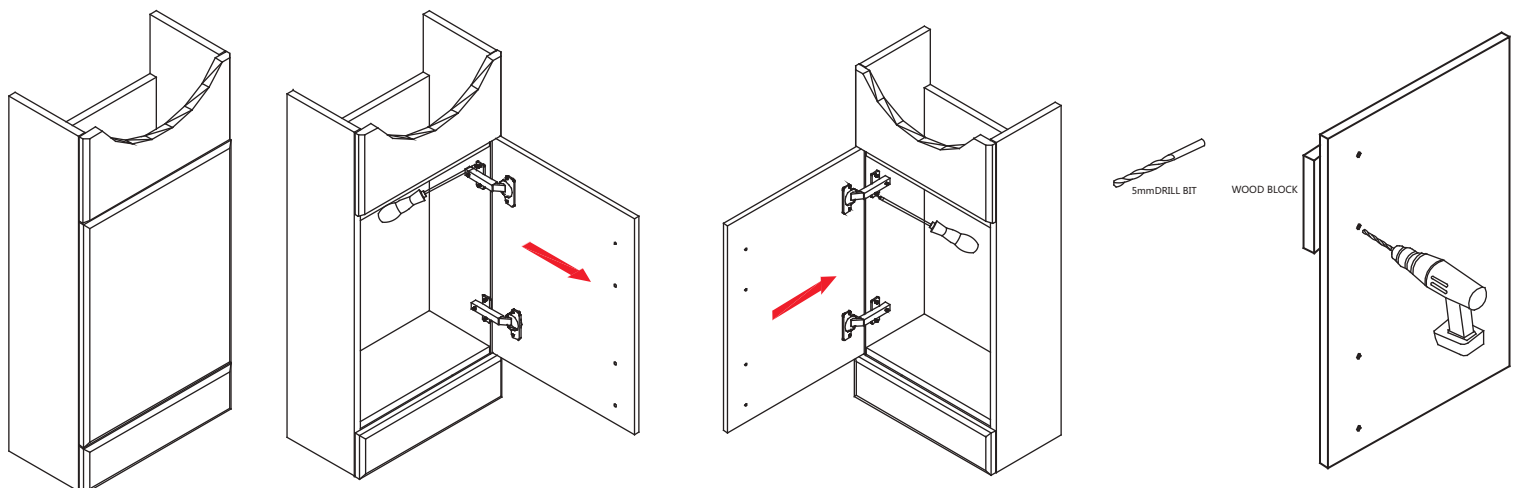
LH/RH DOOR OPTION

- 1) The door can be either left or right hand opening
- 2) Undo the screws of the hinge plate (attached to the cabinet) Flip the door over 180 degrees and refit the hinge plate on the opposite side panel.
- 3) The holes for the door handles are only partly pre-drilled so once the door is in the desired position drill through the holes in the back of the door using a 5mm drill bit

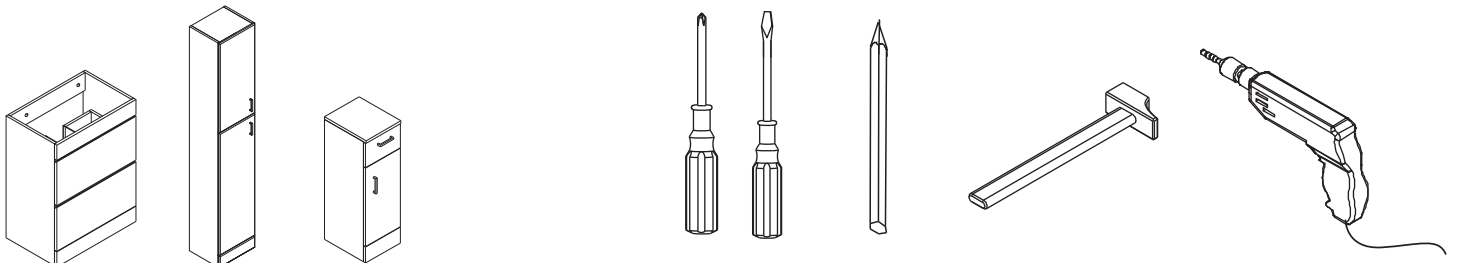
Top Tip - use a scrap block of wood on the front of the door when drilling through this will help prevent any splitting. Do not force the drill through.

N.B. Drilled doors cannot be returned

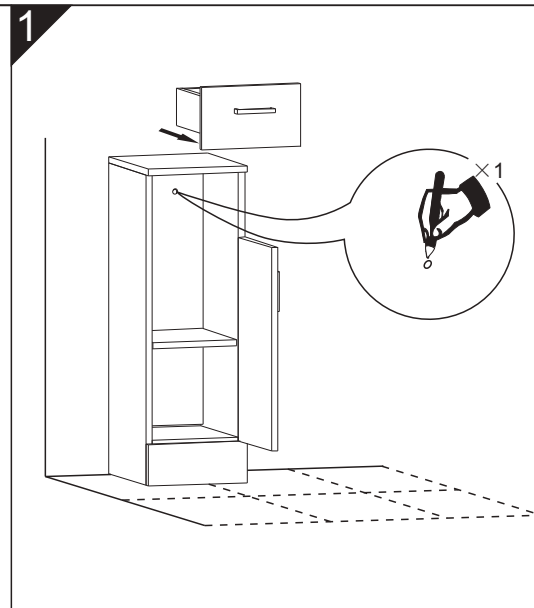
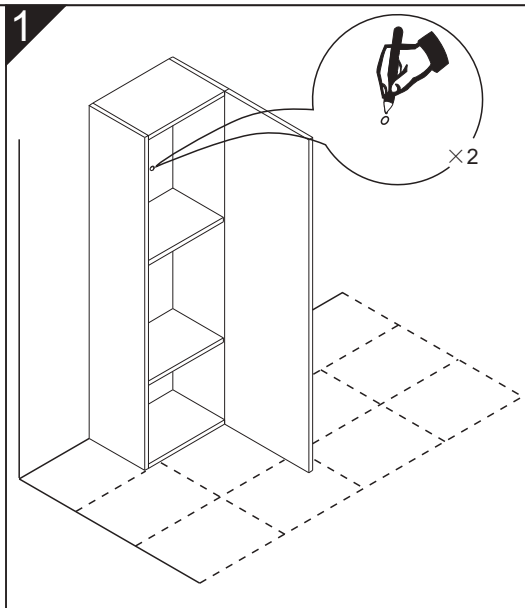
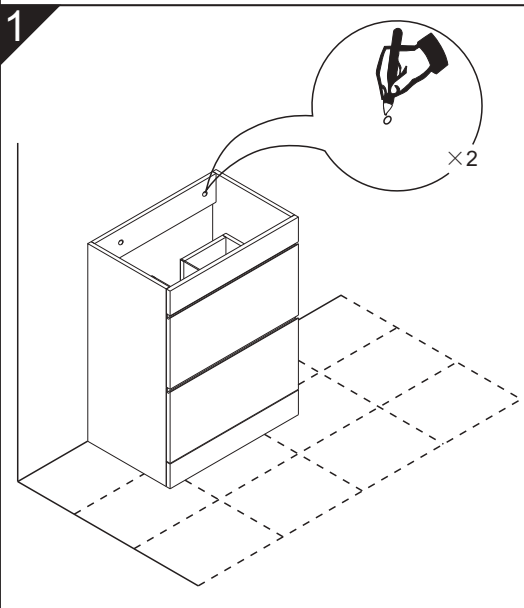
Fix the handle in position using the screws provided



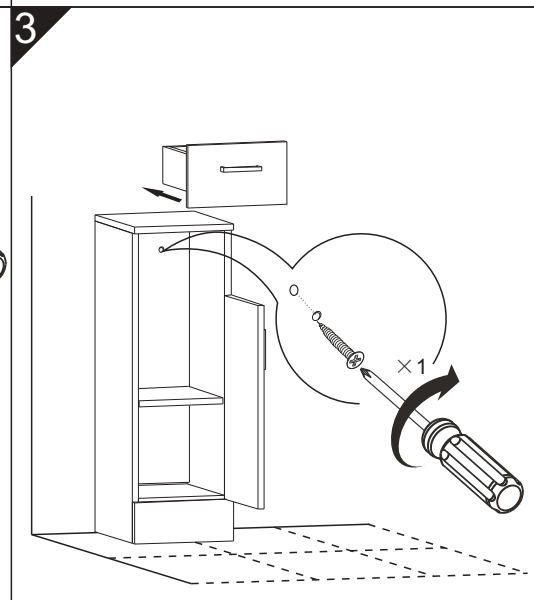
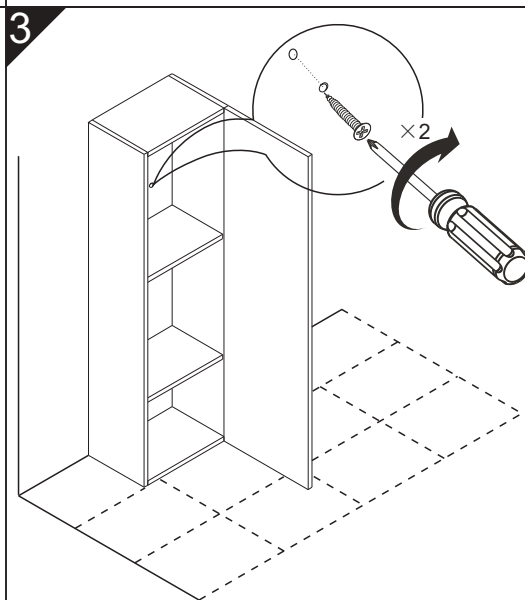
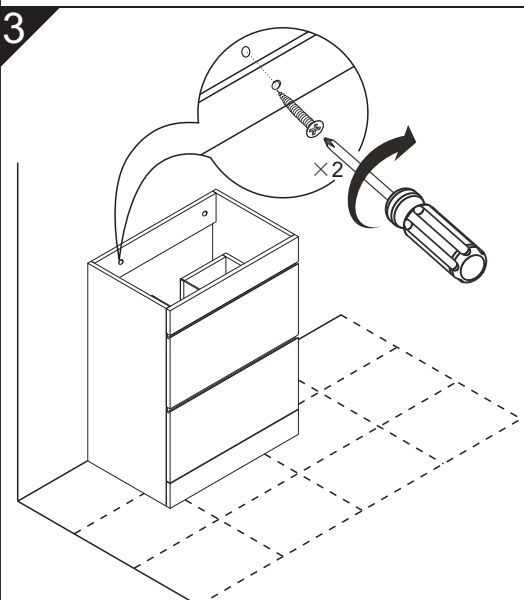
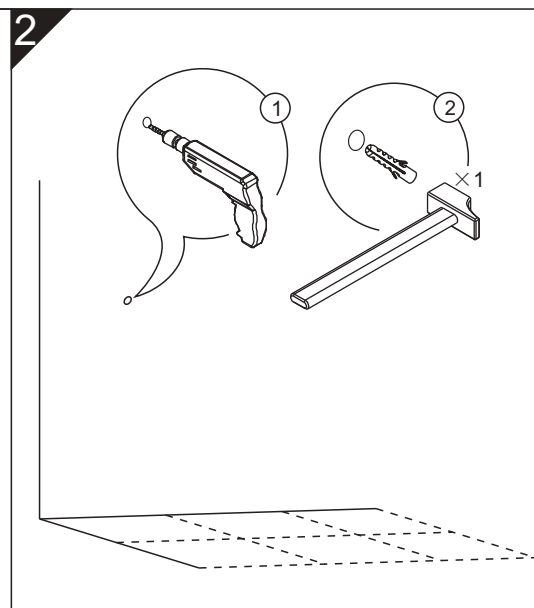
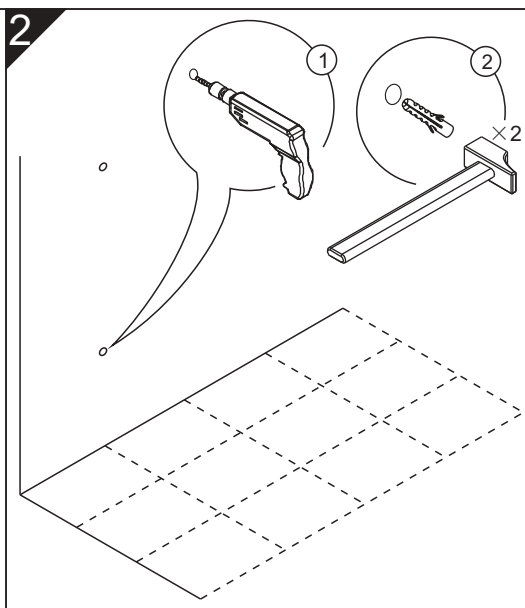
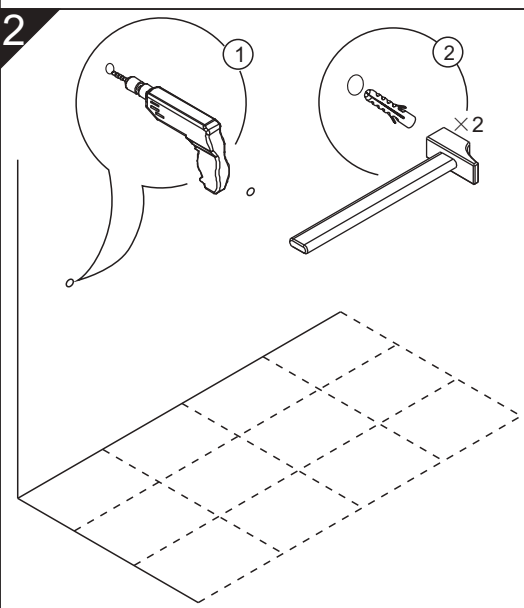
Floor Standing units must be fitted back to the wall through the backrail using suitable fixings. (not supplied)



please put the floor standing unit to back to wall, then use a marker pen /pencil to make a drill hole position directly on wall according to the back panel hole's of unit.



please drill the holes according to the hole position mark on the wall



BATHROOM FURNITURE CUSTOMER CARE GUIDE

Please note that although these units have been designed to give years of pleasure and satisfaction, you will help maintain the original beauty of your bathroom by following these guide lines.

Melamine, Vinyl and Foil Wrapped Doors

Occasional marks, can in most cases, be removed with a soft damp cloth. More persistent marks can be removed using a non silicone based furniture cleaner. Hot soapy water should be avoided. Once the mark is removed, the area should be wiped over with a damp cloth to remove any excess and dried with a soft clean cloth. On no account should solvent or an abrasive cleaner be used as permanent damage to the finish could take place.

High Gloss Doors

Use a cleaning product not containing aggressive substances like acetone, alcohol, bleach ... as those components could seriously damage the surface of the door. The best would be to use a soft cotton or micro fibre cloth with only water and soft soap (containing a maximum 1% of liquid soap)

Carcase Components

Do not use polish on any surfaces. A damp cloth with soapy water will clean off most marks or spills. Bleaches, scouring pads and multi-surface cleaners should not be used.

Drawers, Runners, Door Hinges

These should be wiped out with a damp soapy cloth and wiped dry with a soft cloth as necessary. The roller runners and hinges are lubricated and should not be cleaned with a degreasing agent as this will affect the action of the moving parts. Never lean on partially or fully opened doors and drawers in order to gain access to the units. The hinges are specified to adequately support the weight of the door, plus small additional weights such as wire accessories. It is advised that once the bathroom has been installed you should check every six months that all screws on the hinges are tight.

Worktops

Although the worktop is hard wearing, sharp objects will scratch and excessive heat will scorch the surface. Care should be taken not to drop any heavy objects onto the worktop as the surface may crack. For cleaning, a damp soapy cloth will clean off most spills. Bleaches, scouring pads and multi-surface cleaners should not be used. Corrosive liquids and make-up should be wiped off immediately. On no account should any spillage, even water, be allowed to lie on the surface.

Temperature and Humidity

Avoid excessive change in temperature and humidity. Always try to ensure adequate ventilation.

General care, spillages and splashes

On no account should any spillages or splashes, even water, be allowed to lie on any surface. All spillages and splashes should be wiped dry, failure to do so may shorten the life expectancy of the product and invalidate any guarantees.

Regulations

If it is your intention to remove and replace your bathroom fittings with "like for like" units, then this is classed as "non regulated" and no building regulations would be required. However, building regulation approval may be required if the bathroom refurbishment involves altering the drainage or the internal layout within the dwelling to accommodate the new fitting such as a second bathroom. In this instance, we would advise you to contact the Building Control Department at your local authority to discuss the need for a formal building regulation application.

Macerator - Current building regulations specify that a sanipump smallbore system can be fitted in a dwelling where there is also a normal gravity discharge W.C. It should not be the only W.C. facility.

Electrical - Remember that double pole isolating switches are required for all electrical points apart from special razor sockets. All work must conform to BS7671: 2008 the current I.E.E. Regulations.

INSTALLATION INSTRUCTION



Insert the screw on the hinge base into the holes on the pan.



Tighten the setscrew but not to the end in order to adjust the seat cover properly.



Aim at the holes and adjust the hinge base to make the seat cover and pan match.



Fix the hinge base on the pan firmly.



Put the cap into the hinge base. Fix the seat cover into the hinge base, Finish.



Press the button and remove the seat cover for cleaning.

Remind:

To clean this seat, do not use abrasive cleaning agents or materials, simply wipe clean with a soft damp cloth and a mild detergent.

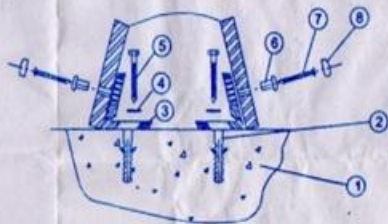
Use of abrasive cleaning agents and materials will invalidate your guarantee.

Regular cleaning is necessary.

Installation installation

Please check if all the parts as shown in the figure are ready and is there any lack of the parts ,please contact your local suppliers.

①	flat concrete floor
②	anchor
③	mounting bracket
④	washer
⑤	mounting bracket screw
⑥	washer
⑦	toilet bowl mounting screw
⑧	cap



- 1.The toilet bowl should be installed on the flat concrete floor.
- 2.As shown figure,drilling holes on the floor and then insert the anchors②into the holes .Attach the mounting bracket③ with the washer④ and mounting bracket screw⑤.
- 3.Put on the toilet bowl,and insert the washer⑥ in the anchor hole of the toilet bowl ,then tighten the mounting screw⑦ to secure the toilet bowl and mounting bracket,then put on the cap⑧.
- 4.After installation,please check if the toilet bowl is firm or not,if not,please check again if all the parts are installed correctly.

Cable Operated Dual Flush Concealed Cistern

FITTING INSTRUCTIONS

Please ensure these instructions are followed carefully – if you are unsure about any aspect of the installation, please consult a Qualified Installer. In the event of any problem with the function of this equipment, please check installation before contacting your supplier.

Before commencing installation, please check that all of the following items have been supplied, and you are thoroughly familiar with these instructions.

CONTENTS IN CARTON

Cistern Lid
Cistern Body
Flushpipe
Inlet Valve

Outlet Valve
Wall Hanging Bracket
Fixings Pack

All parts are quantity 1 unless stated otherwise

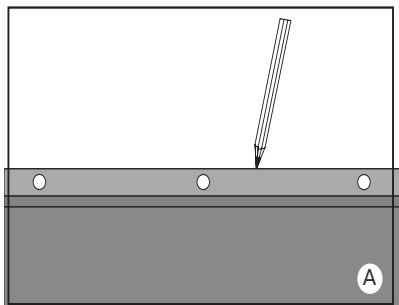
INSTALLATION OF EQUIPMENT

Do not use mole grips on plastic nuts

Do not use a sealing compound as damage may occur to plastic components.

Do not overtighten plastic nuts

The fixings supplied with this cistern will NOT suit every type of material or construction



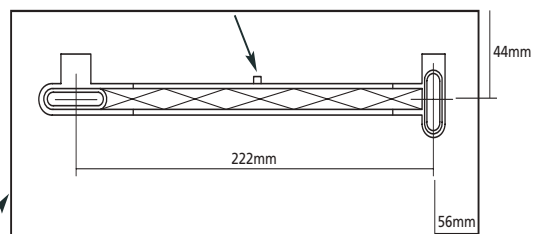
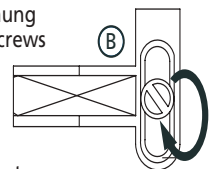
Line markings of cistern as drawn in picture 'A'

CISTERN BODY

Note: Maximum dimensions of flushpipe. Establish where cistern is to be located relative to the WC pan. Hold cistern in place, ensure cistern is level using a spirit level, and mark where the cistern is to be located, as shown in picture A. Mark top and sides of cistern and fit the wall hung fixing bracket to the dimensions shown below.

Using a screwdriver, lock the wall hung fixing bracket into position using screws provided, as shown in picture 'B'

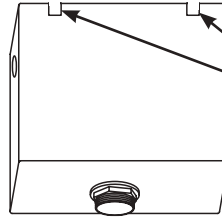
When fitting wall hung fixing bracket, ensure that the arrow indicated points towards wall/cabinet





Place conical sealing washer over threads, insert through hole in cistern secure in place using the slip ring and 1/2" back-nut supplied. Secure hand tight plus half turn with a spanner, tighten further if necessary.

Do not use mole grips on plastic nuts and do not use sealing compound, as damage may occur to plastic components.



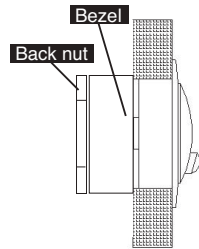
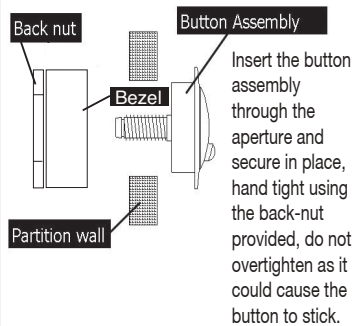
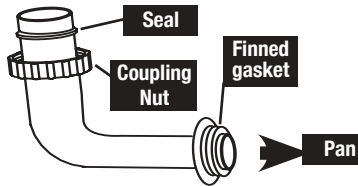
PUT CABLE INTO SLOT ON CISTERN

OUTLET VALVE

Insert threaded section of the valve into the cistern, with base seal on the inside, secure with back-nut hand tight, tighten further 1/2 turn using a spanner, check for leaks, tighten further if necessary.

Place the coupling nut on the flushpipe then place the seal as shown, the seal must be no more than 35mm onto the flushpipe, secure the flushpipe onto the valve, hand tight, check for leaks.

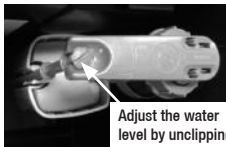
Fit the finned gasket as shown, insert into WC pan and ensure no leaks.



Connect the cable assembly to the button assembly by inserting the threads, then firmly clicking the slide across, please ensure the route of the cable is not kinked.

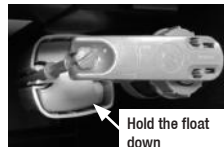
Final Commissioning

Ensure that all pipework is clear of debris before connecting to the inlet valve.



Adjust the water level by unclipping the red rod and move the cup and float up or down and then clip the red rod back into place.

Once installation is complete, turn the water supply and allow the cistern to fill. Adjust the water level by unclipping the red rod and moving the cup and float up or down and then clip the red rod back into place. The water line needs to be set to the 6 litre water line marked in cistern.



Hold the float down

Hold the inlet valve float down, causing the cistern to internally overflow, ensure overflow is capable of discharging the incoming water, if necessary reduce flow by partially closing the isolation valve (not supplied).

Code No.	PMCON01
Version No.	02
Date	15/04/2016